

# Wilding Wallbeds®

## Wilding Murphy Frame



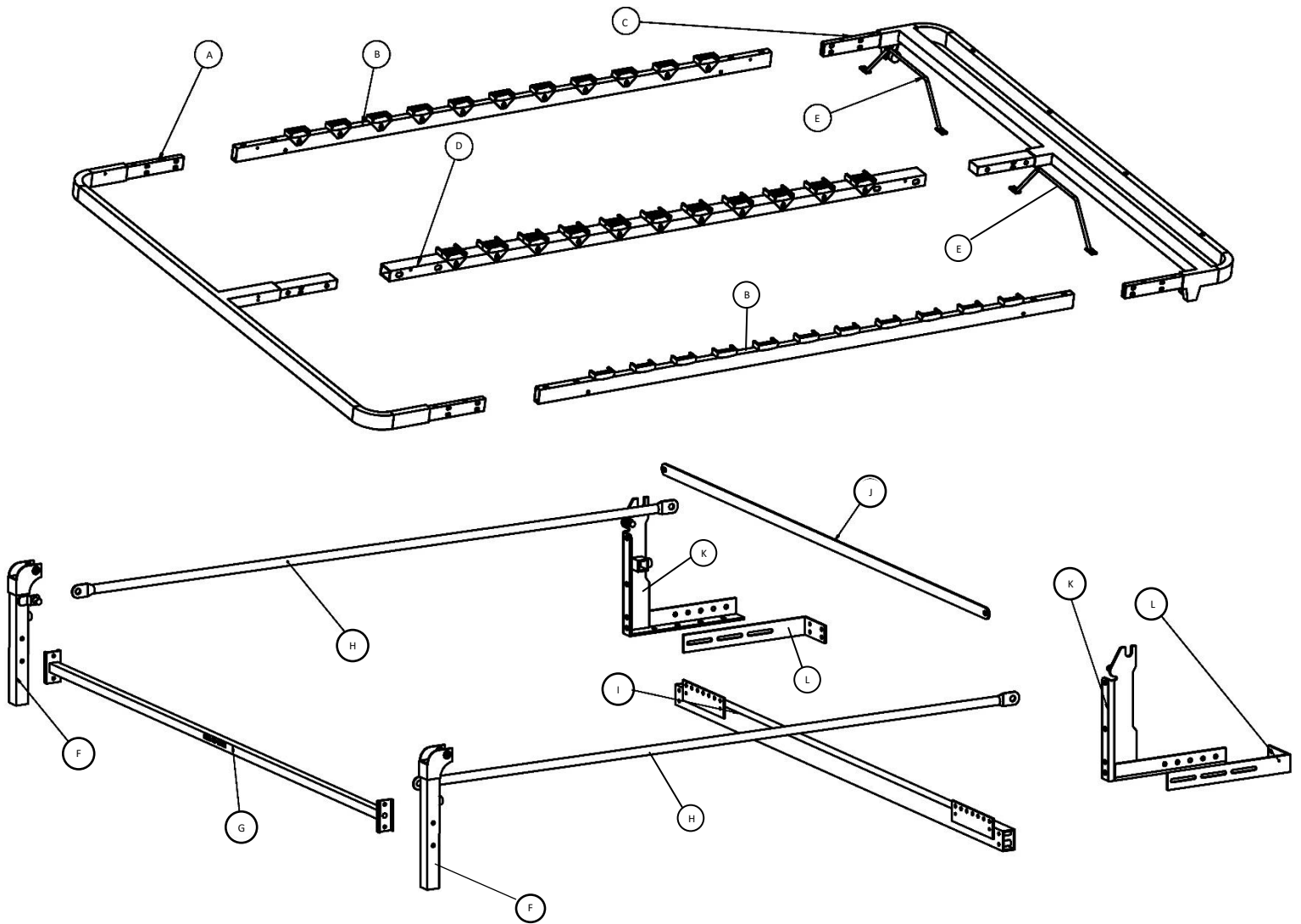
## Installation Instructions

To watch the instruction video, use this QR code.

WARNING! ALL MURPHY/WALLBED SYSTEMS CONTAIN STORED ENERGY. FAILURE TO USE AND FOLLOW THESE INSTRUCTIONS DURING THE INSTALLATION PROCESS COULD RESULT IN SEVERE PERSONAL INJURY TO THE USER OR DAMAGE TO THE PRODUCT. PLEASE CONTACT CUSTOMER SERVICE AT 866-725-6401 FOR ANY QUESTIONS.





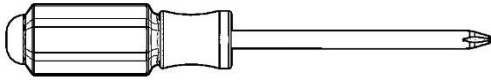


Murphy Frame Parts:

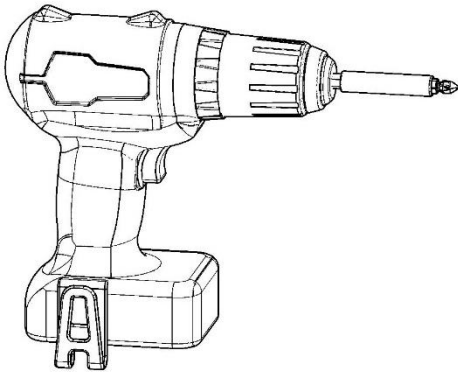
- A. End Frame
- B. Side Rail
- C. Head Frame
- D. Center Rail
- E. Mattress Retainer Bar
- F. Leg
- G. Leg Connector Tube
- H. Leg Actuator Bar
- I. Bottom Spring Tube
- J. Yoke Connector Bar
- K. Floor Yoke
- L. Wall-mount Bracket

Tools Needed:

Phillips Screw  
Driver



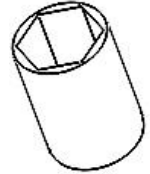
Power Screw  
Driver



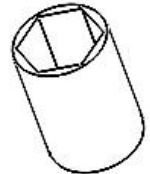
Socket Wrench



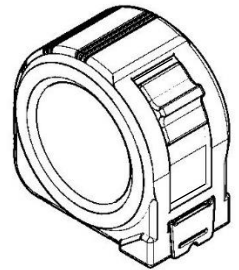
10mm Socket



13mm Socket

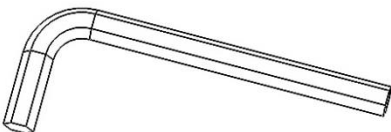


Tape Measure



Tools included with the frame:

5mm Allen Wrench



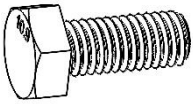
4mm Allen Wrench



10/13mm Wrench



M8X20mm Bolt



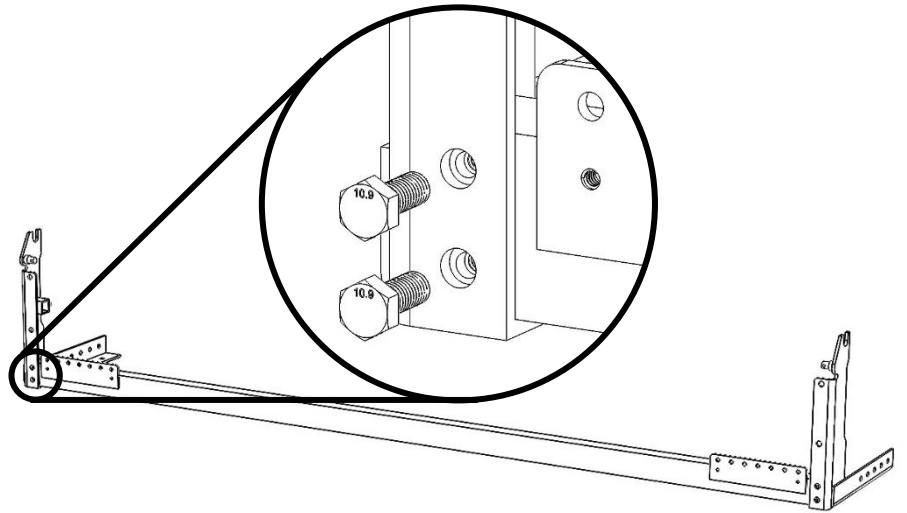
(4)

Hardware

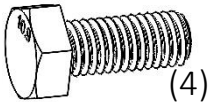
Step 1

Lay out the Floor Yokes as shown, with the Bottom Spring Tube between Floor Yokes.

Use 4 of the M8X20mm Bolts to attach the Floor Yokes to the Bottom Spring Tube.



M8X20mm Bolt



(4)

Hardware  
Nylock Nut



(4)

Washer

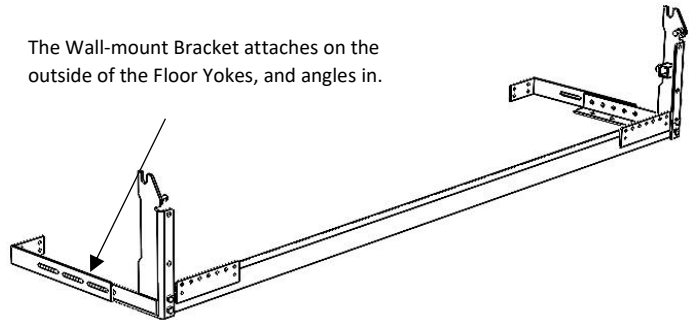


(8)

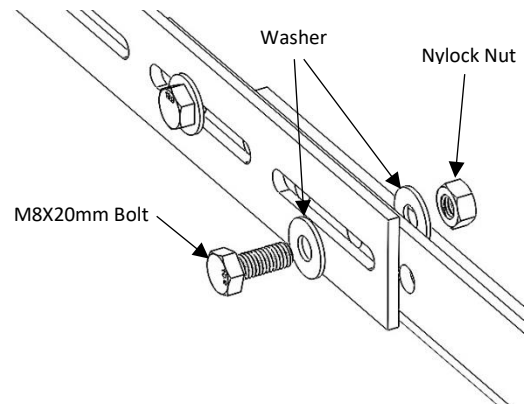
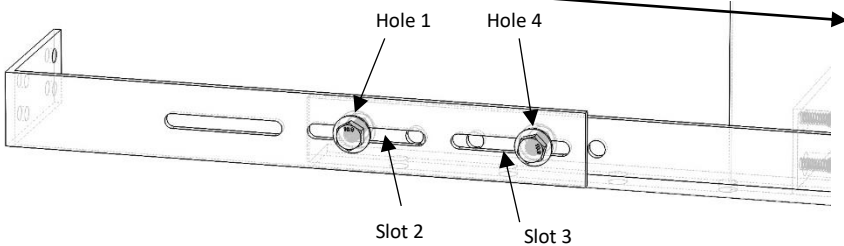
Step 2

Attach the Wall Mount Brackets to the Floor Yokes using 4 sets of M8X20mm Bolt, Washer, and Nylock Nut. Align slots 2 and 3 with holes 1 and 4. There is adjustability in positioning the Wall-mount. Recommend starting at 16" from the front of Spring Tube.

The Wall-mount Bracket attaches on the outside of the Floor Yokes, and angles in.

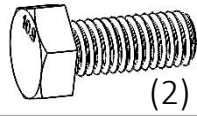


The front of the Floor Yoke is typically 16" from the wall.

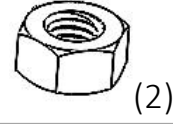


### Hardware

M8X20mm Bolt

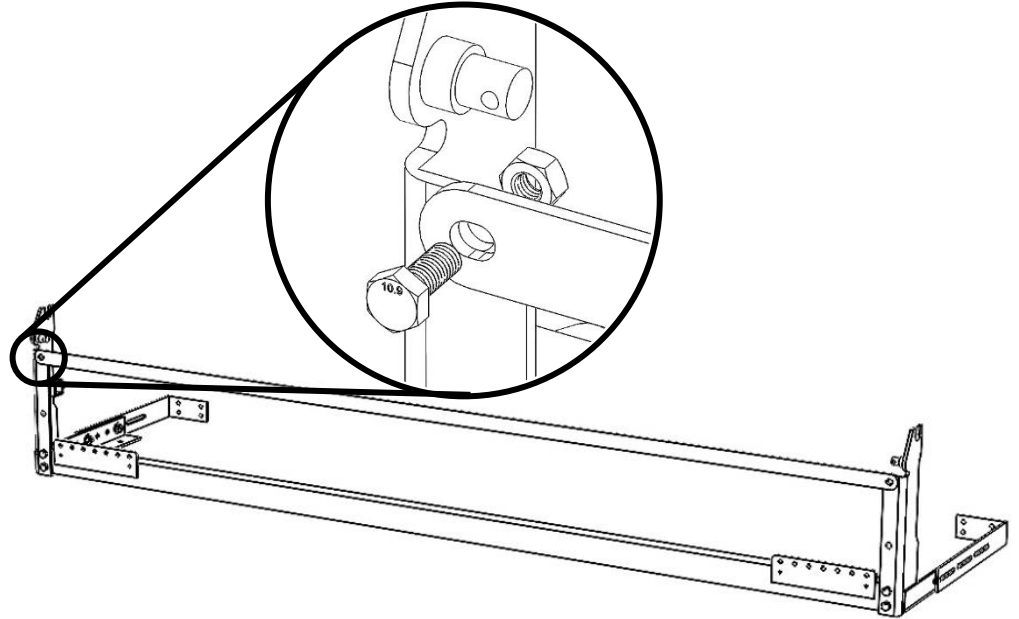


Nylock Nut



### Step 3

Attach the Yoke Connector Bar (flat metal bar) to the front of the Floor Yokes. Use 2 sets of M8X20mm Bolt and Nut



3" Flat Head Screw

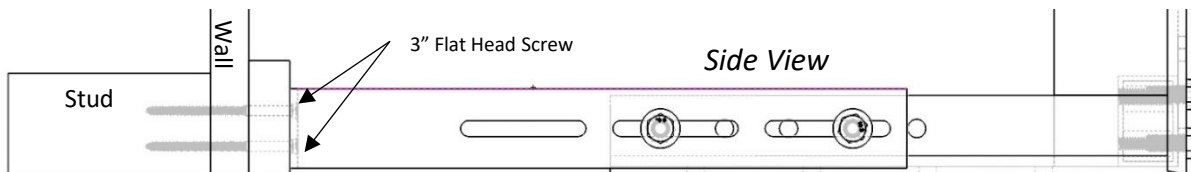
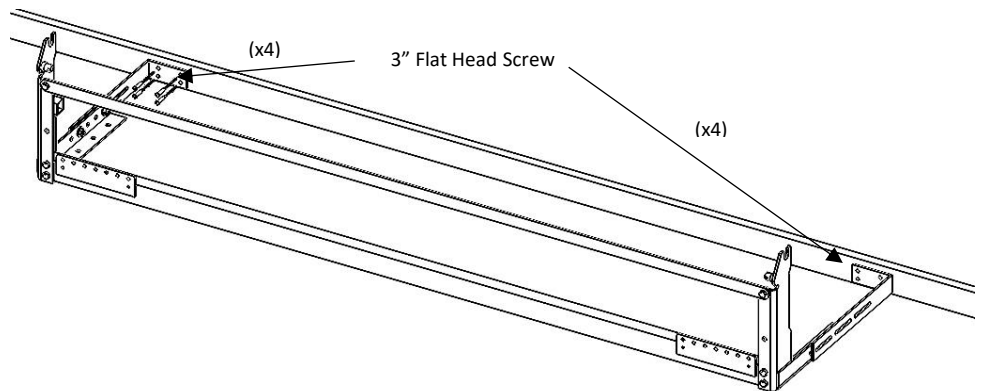


### Hardware

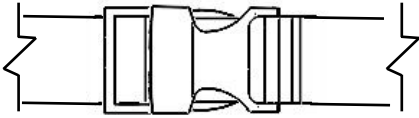
WARNING! Step 4 is critical for safe operation of Murphy Frame. Please contact customer service at 866-725-6401 for questions.

### Step 4

Position the Floor Yoke Assembly against the wall at the desired location for installation. Attach the assembly to the wall using 8 of the 3" Flat Head Screws. Each screw must go into the Stud at the base of the wall.



Mattress Strap

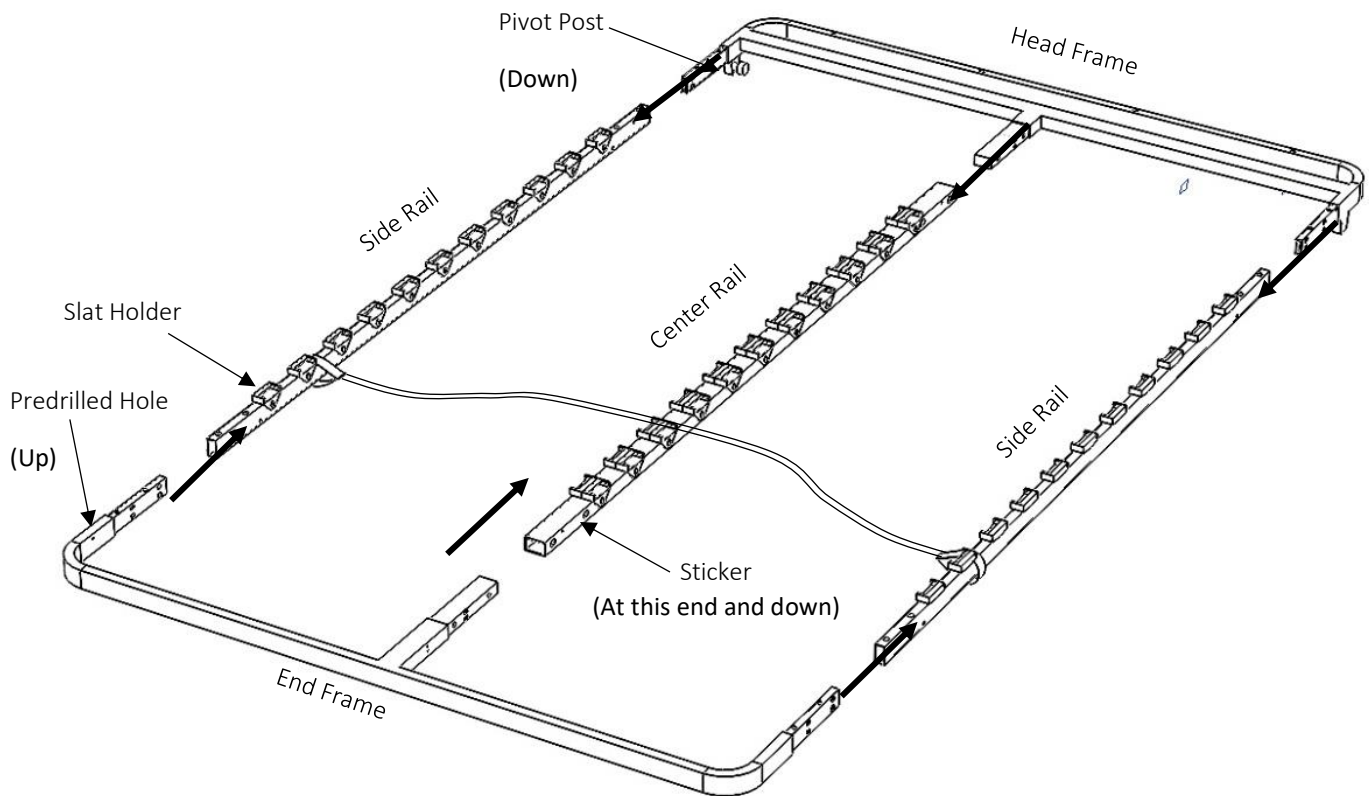


## Hardware

### Step 5

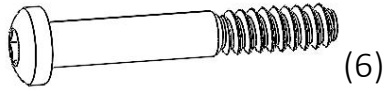
On the floor, lay out the Bed Frame parts as shown. The closed side of the Slat Holders is the outside edge of the Bed Frame.

Slip the Nylon Mattress Strap over the Side Rails. Move the strap behind the second row of Slat Holders.



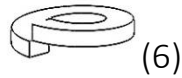
Move the Head and End Frames into the Side and Center Rails.

M8X55mm Bolt

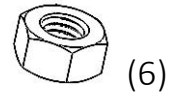


Hardware

Lock Washer

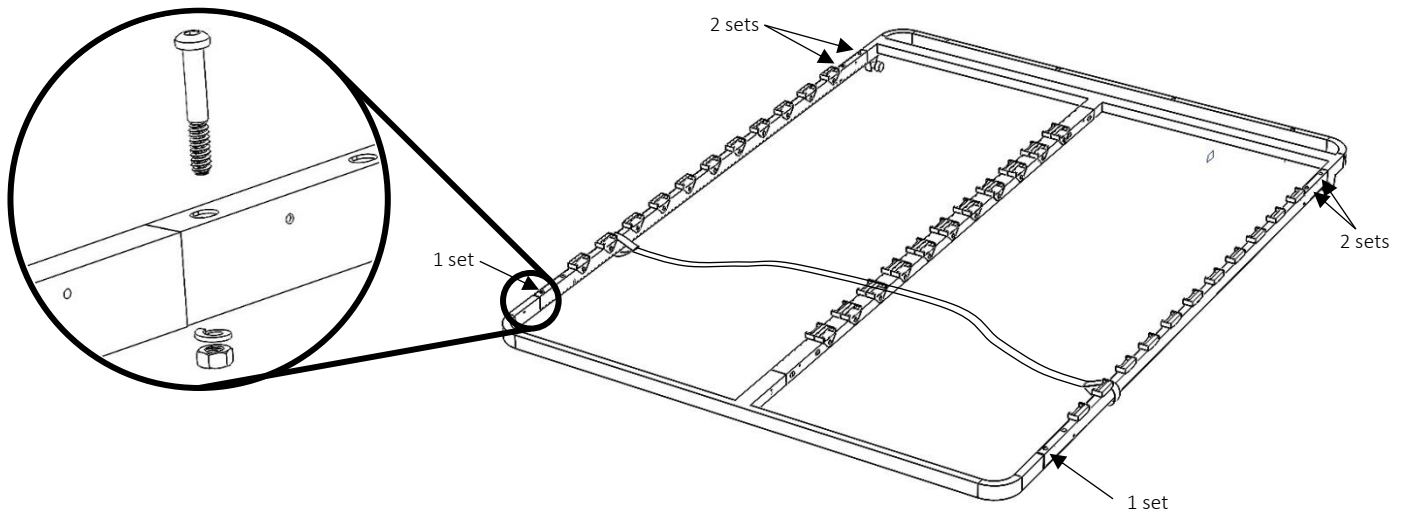


Nut

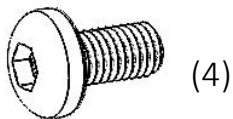


Step 6

Attach the Head and Foot Frame to the Side Rails using 6 sets of M8X55mm Bolt, Lock Washer, and Nut.



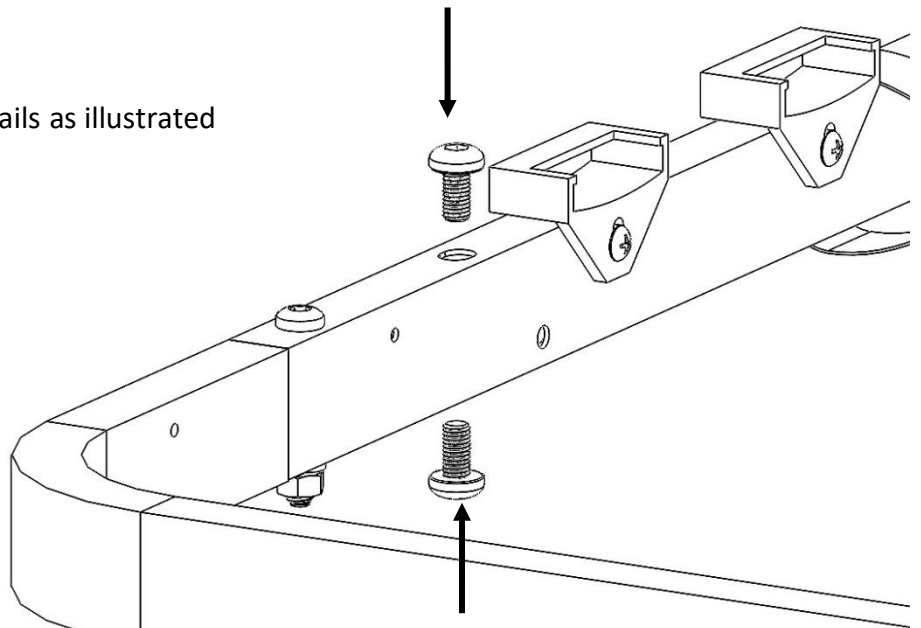
M8X16mm Bolt



Hardware

Step 7

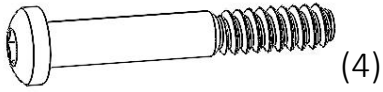
Use 4 of the M8X16mm Bolts in the Side Rails as illustrated (Only on the End Frame).



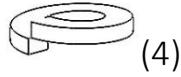


## Hardware

M8X55mm Bolt



Lock Washer

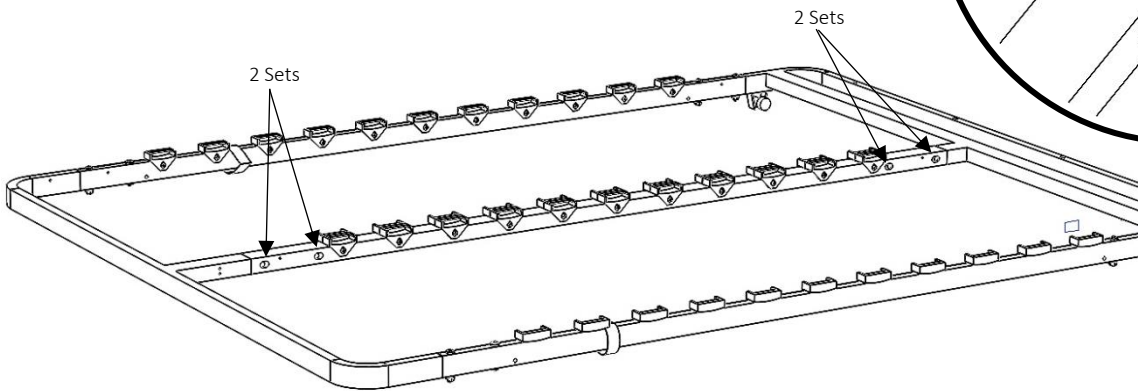


Nut

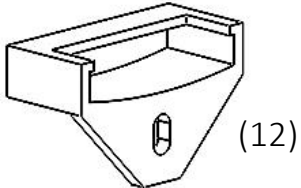


### Step 8

Attach the Head and End Frame to the center rail using 4 sets of M8X55mm Bolt, Lock Washer, and Nut.

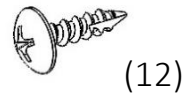


Slat Holder



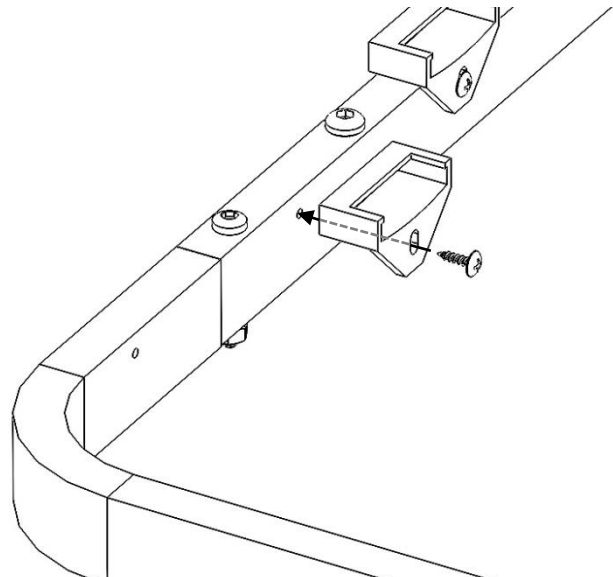
## Hardware

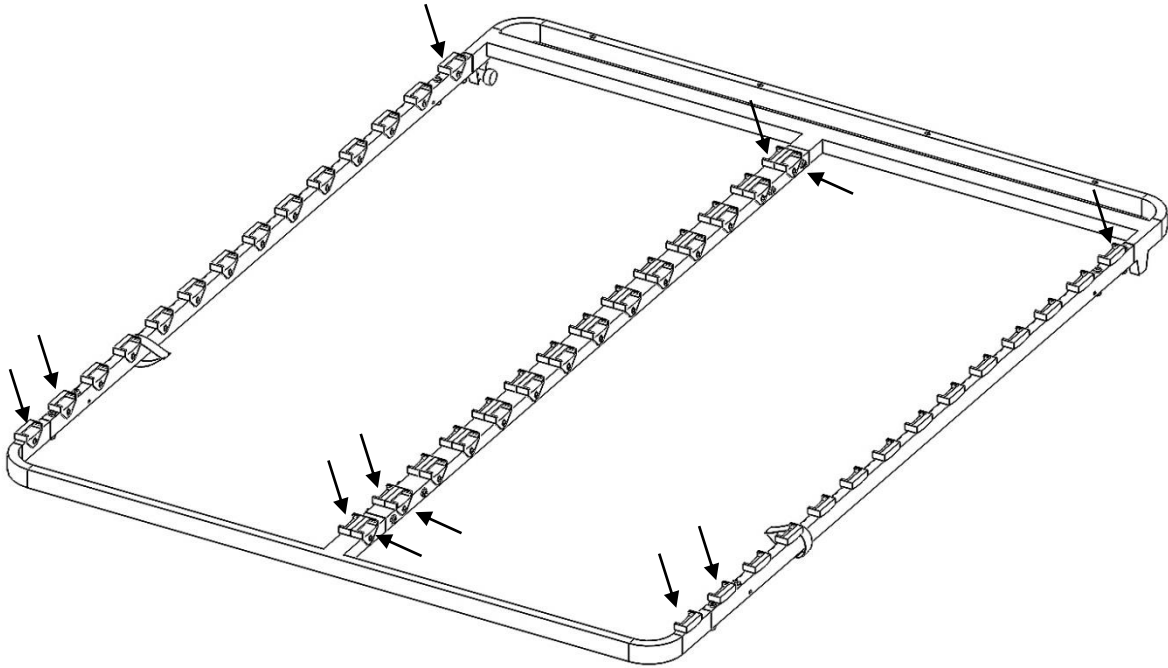
Self-tapping Screw



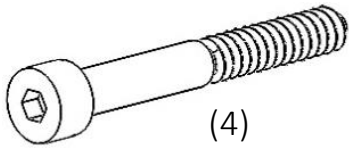
### Step 9

Attach Slat Holders to the Side and Center Rail using the Self-tapping Screws. (See next page for locations).



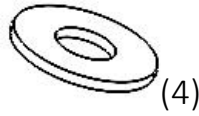


M6X50mm Bolt

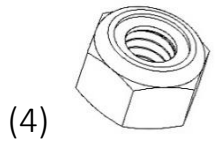


Hardware

Washer

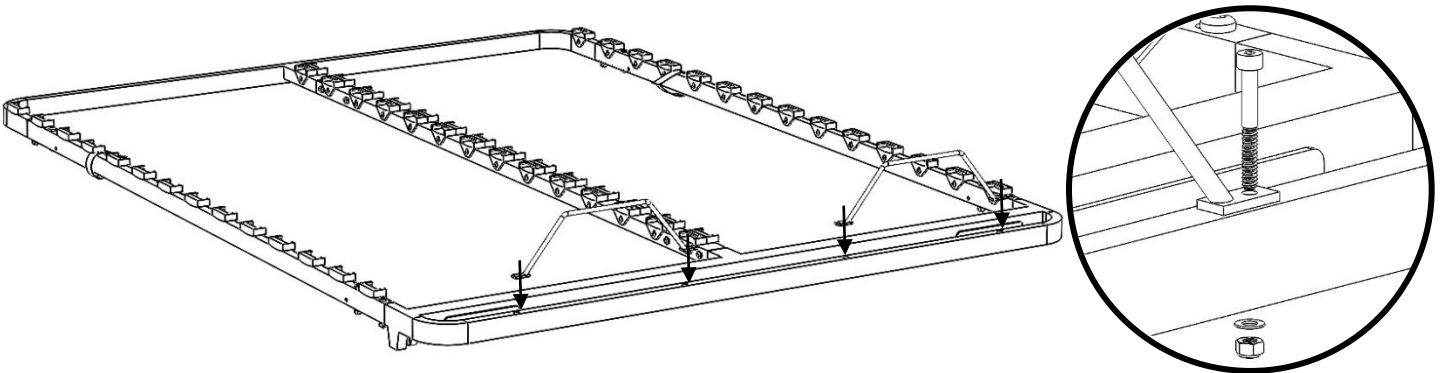


Nylock Nut



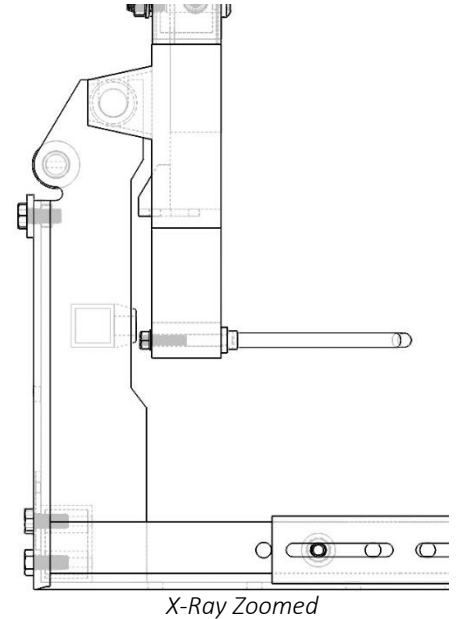
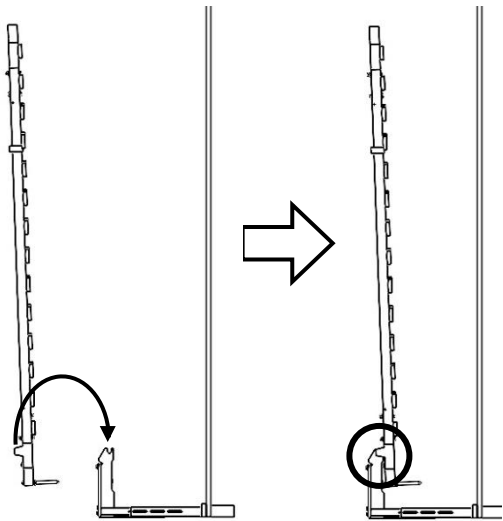
Step 10

Attach the Mattress Retainer Bars to the Head Frame using 4 sets of M6X50mm Bolt, Washer and Nut.



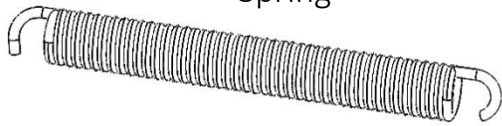
### Step 11

Lift the frame and set it on the Floor Yokes so the pivot point of the Head Frame is resting inside the Slot of the Floor Yoke.



Spring

Hardware

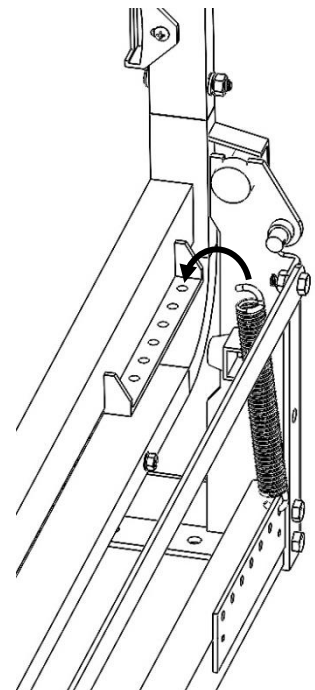
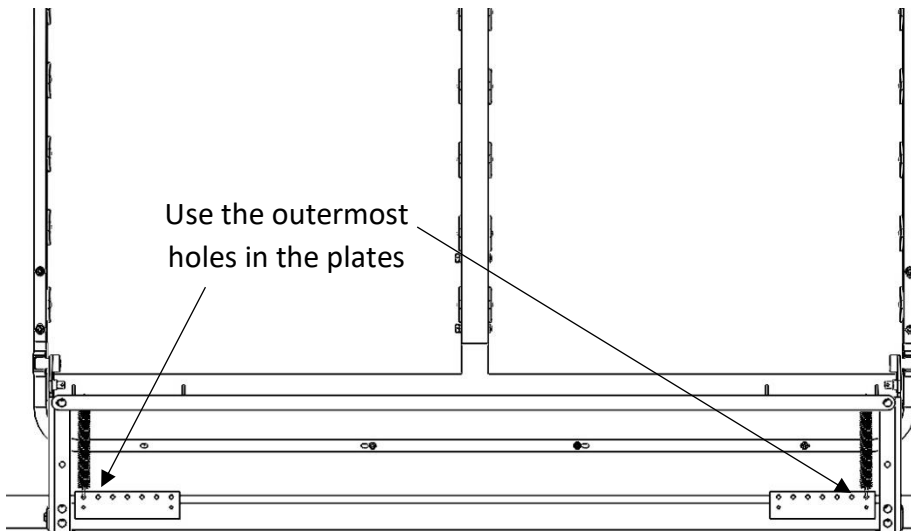


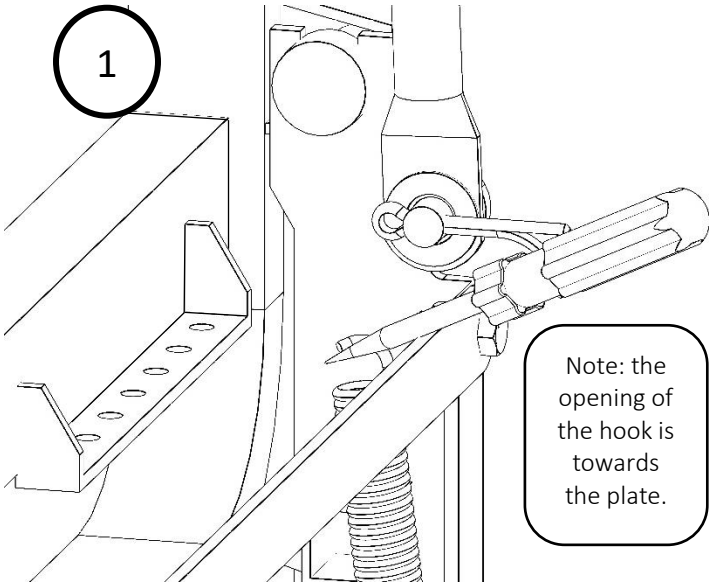
(2)



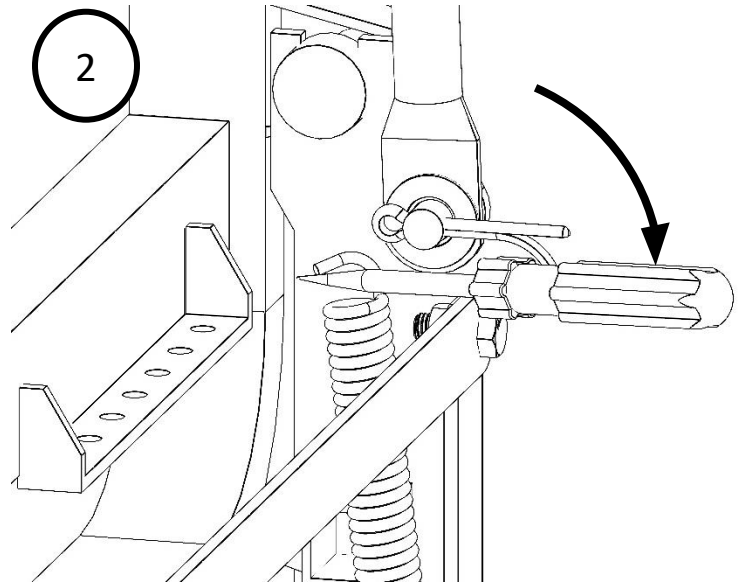
### Step 12

Stabilize the frame by installing 2 springs (1 on each side). First hook the spring in the Spring Tube's plate using the outside holes, then, stretch the spring (see following page for details) attaching it to the Head Frame as illustrated. Helpful hint: Use the QR code above to see video instructions. This step begins at minute 18:10 on the video.

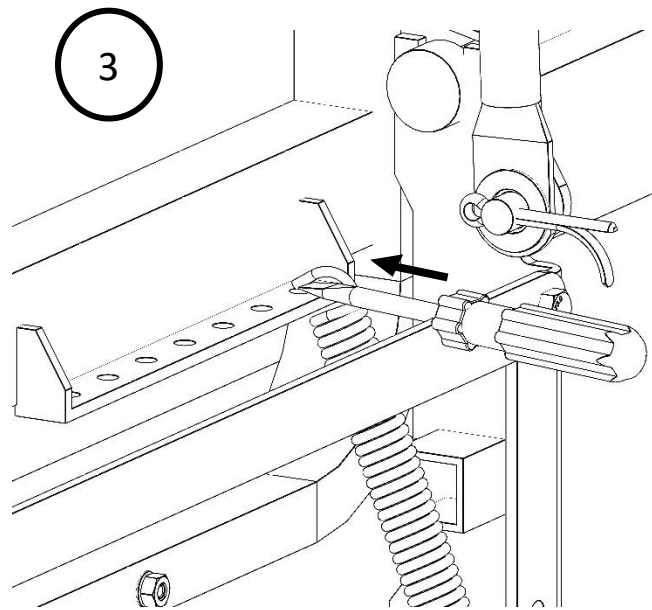




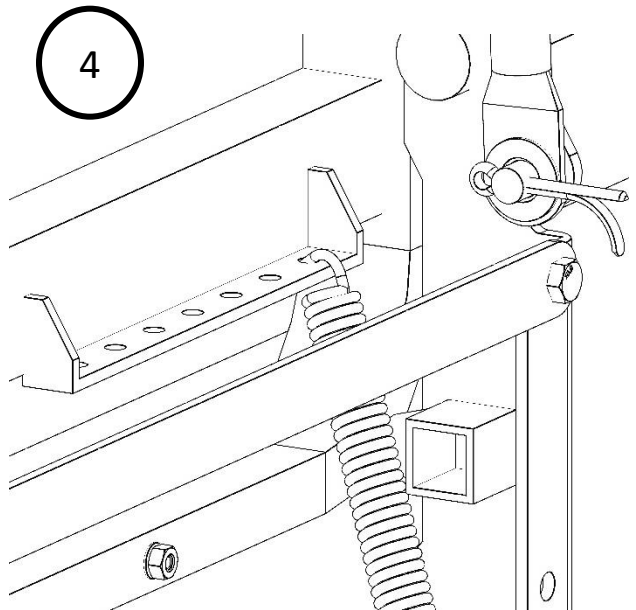
Rest the screw driver on the yoke connector bar.  
Position the hook of the spring on top of the head of the screw driver.



Stretch the spring up to the Head Rail's spring plate using the screw driver and the Yoke Connector Bar for leverage as needed.



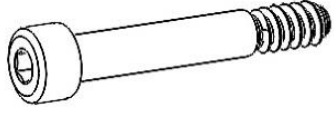
Move the stretched spring closer to the hook directly above the outermost hole of the plate.



Release the spring and remove the screw driver.

### Hardware

M6X40mm Bolt



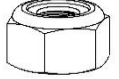
(2)

Washer



(2)

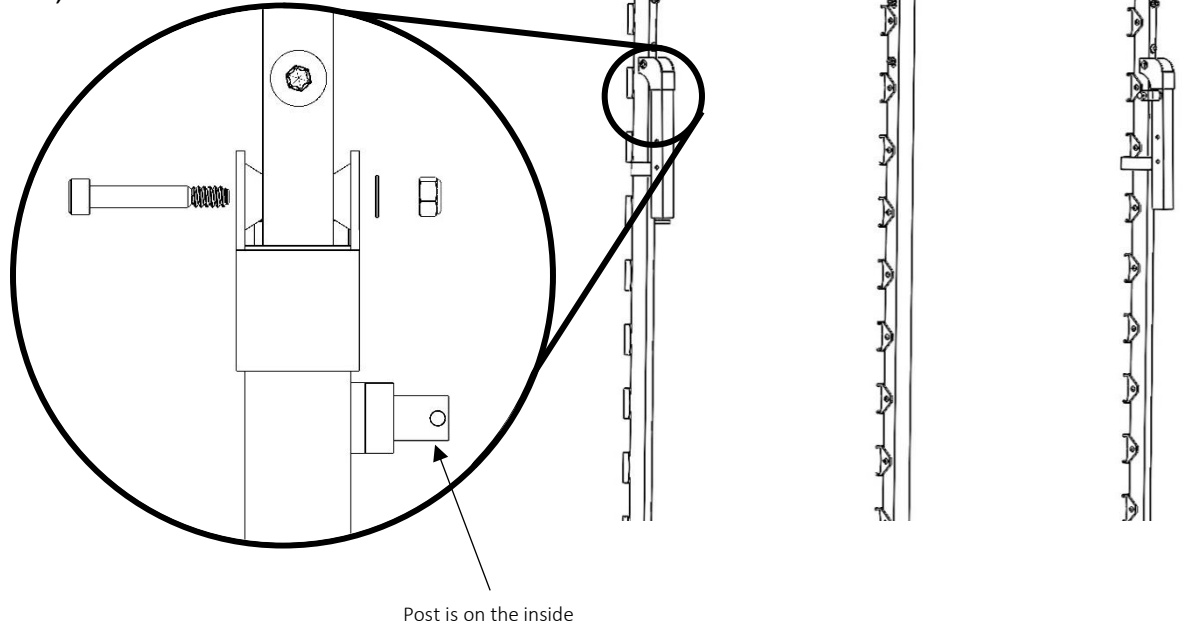
Nylock Nut



(2)

### Step 13

Attach the Legs to the Side Rails using 2 sets of M6X40mm Bolt, Washer, and Nut.

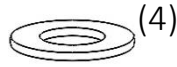


M6X40mm Bolt

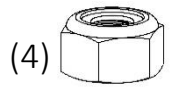


### Hardware

Washer

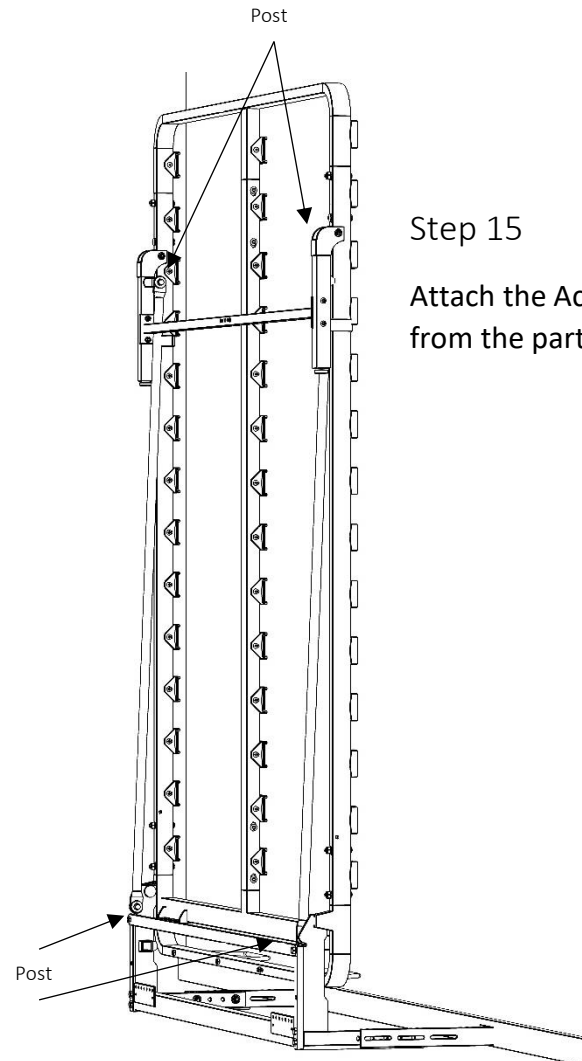
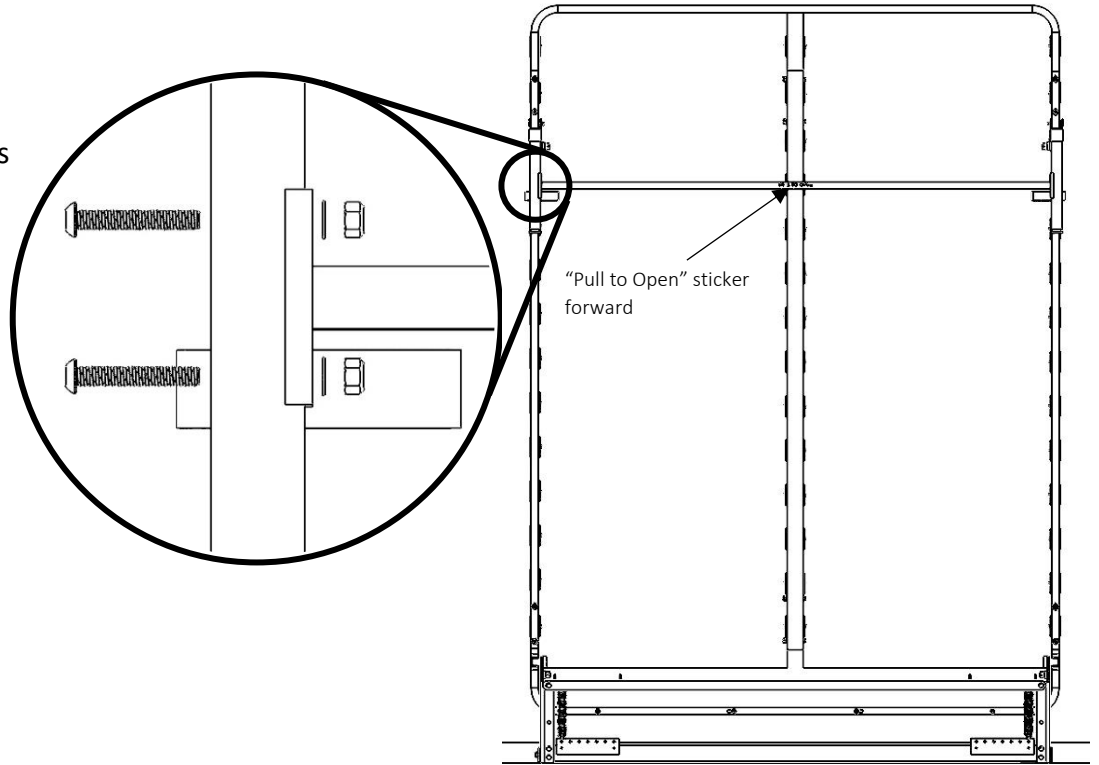


Nylock Nut



### Step 14

Attach the Leg Connector Tube to the Legs using 4 sets of M6X40mm Bolt, Washer, and Nylock Nut.

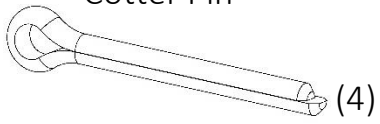


### Step 15

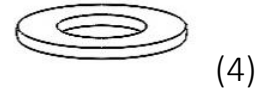
Attach the Actuators to Legs and the Floor Yokes using the posts extruding from the parts.

## Hardware

Cotter Pin

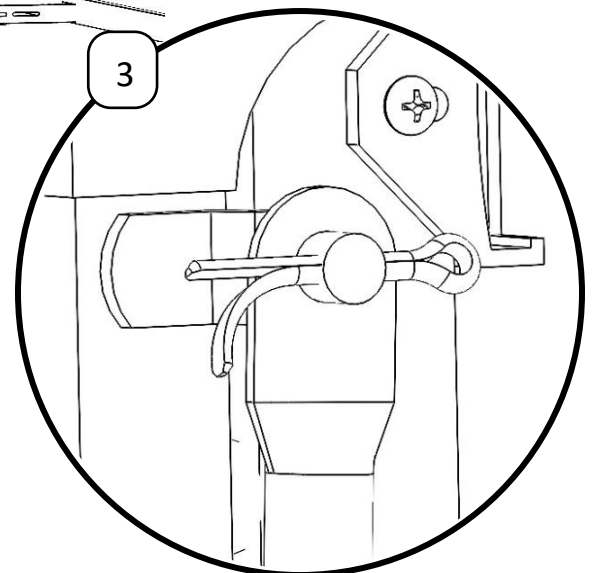
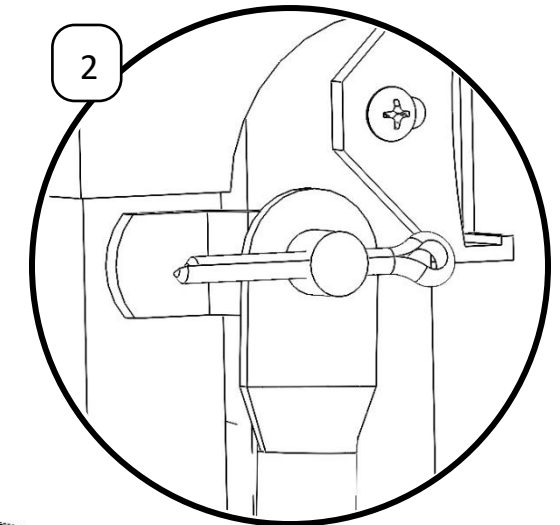
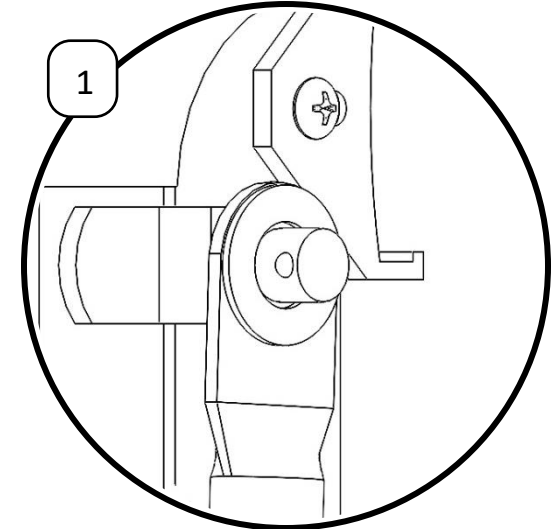
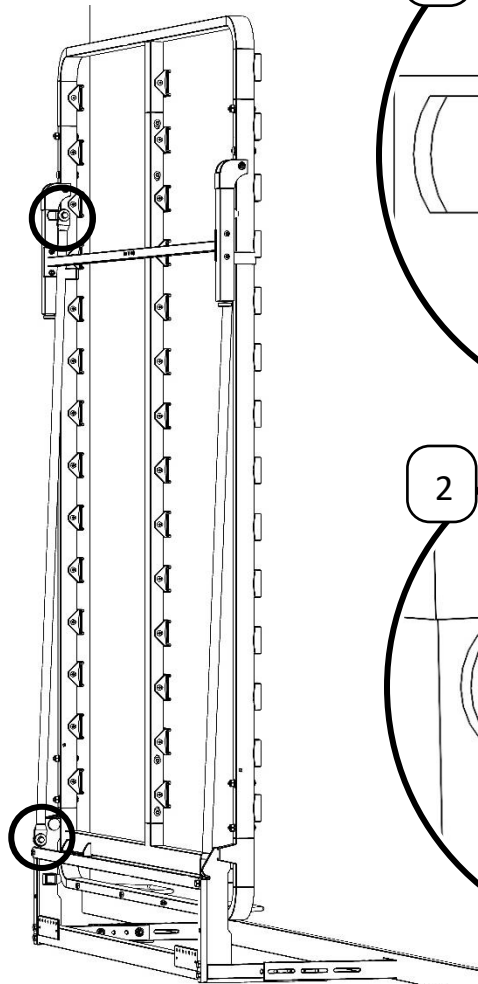


Washer



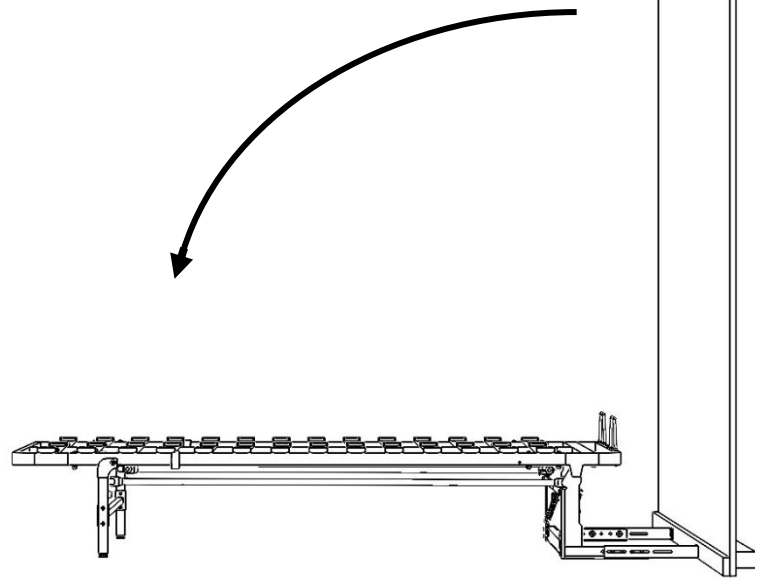
### Step 16

Place a Washer on each of the posts. Insert Cotter Pins into the holes in the posts. Then, bend the Cotter Pins so they do not fall out.



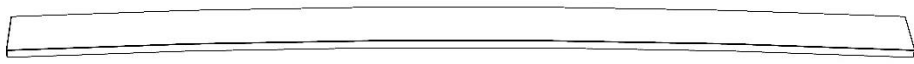
### Step 17

Lower the frame into the open position.



### Hardware

Wood Slats



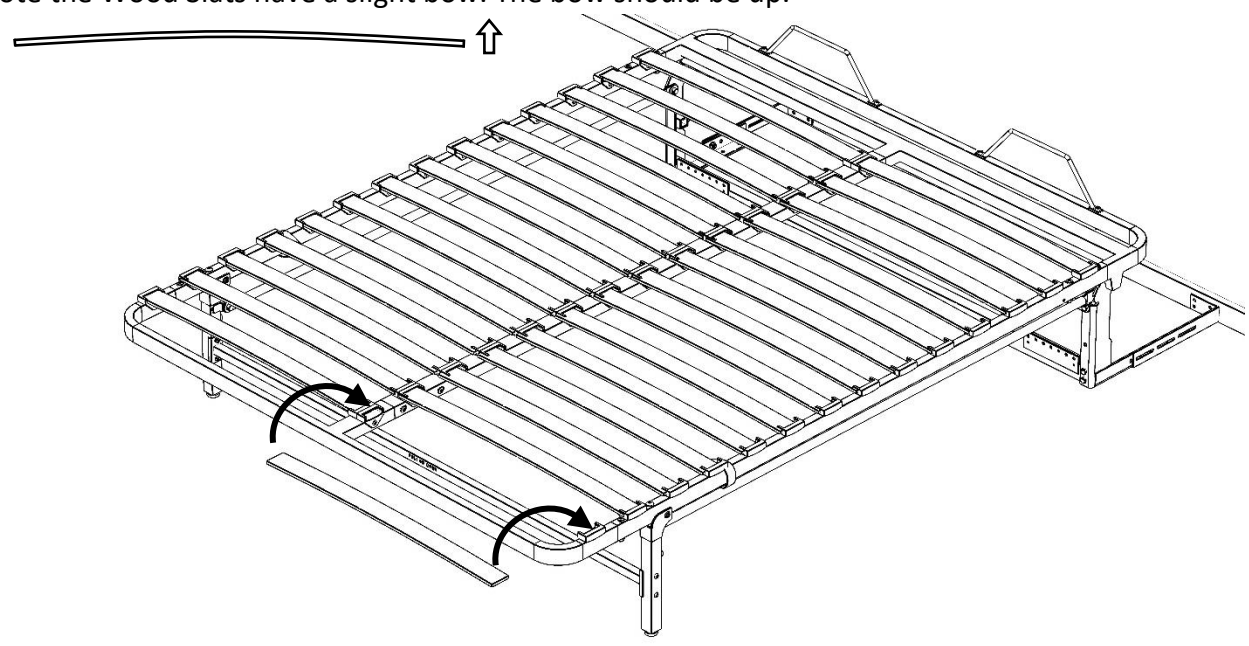
(28)

### Step 18

Insert the Wood Slats into the Slat Holders by inserting one end first, then slightly bowing the wood slat allowing it to slip into the opposite Slat Holder.

Helpful hint: Slightly twisting the Slat helps getting it into the slat holder with less bending.

Note the Wood Slats have a slight bow. The bow should be up.





Spring



(Quantity varies with bed size)

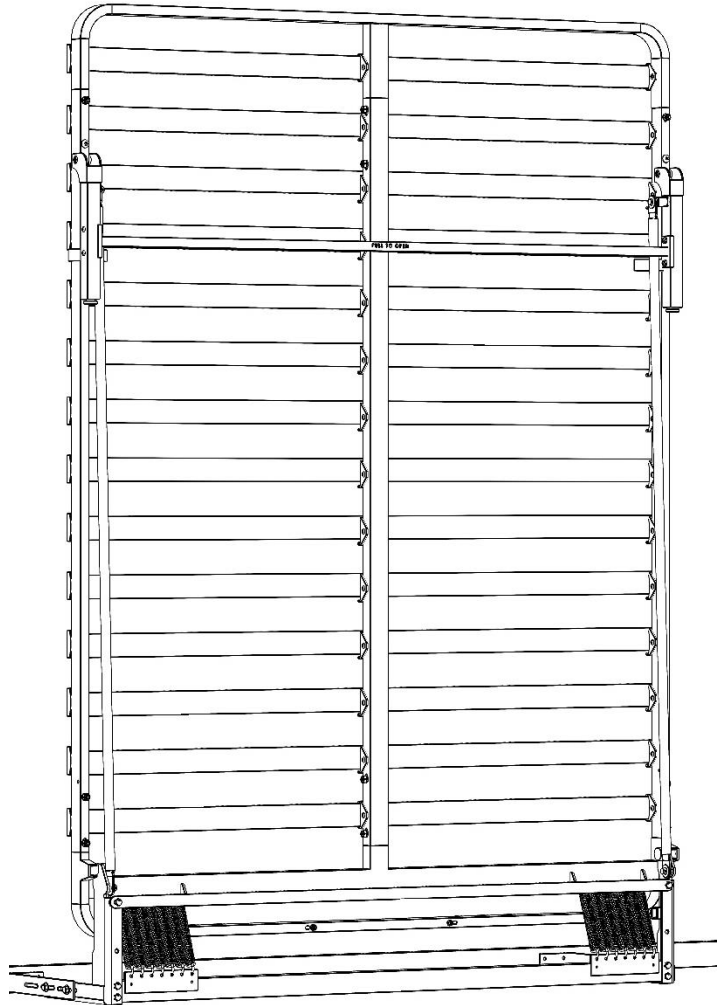
Hardware

Step 19

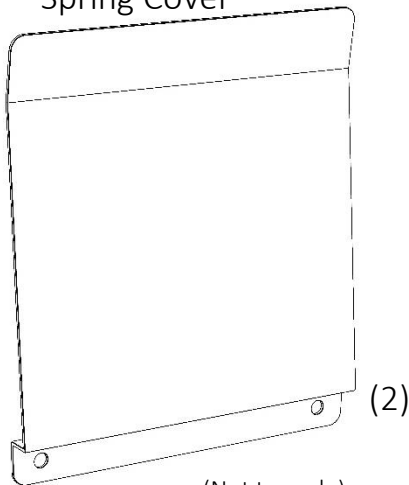
Lift the frame into the vertical position. Attach the remaining springs (see page 12 for stretching the springs). The number of springs varies with the bed

Typical Number of Springs:

Queen	4 per side
Full	3 per side
Twin	2 per side



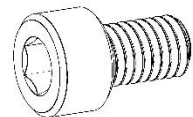
Spring Cover



(Not to scale)

Hardware

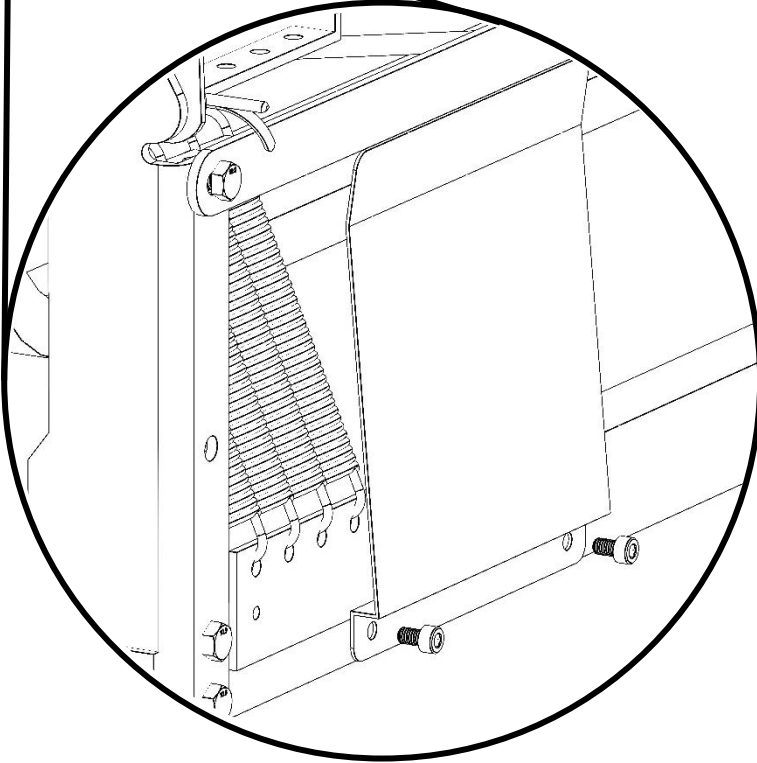
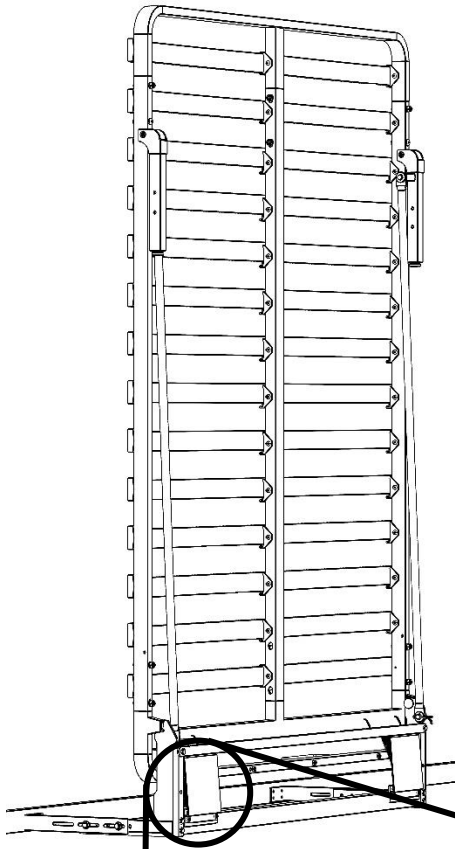
M6X10mm Machine Screw



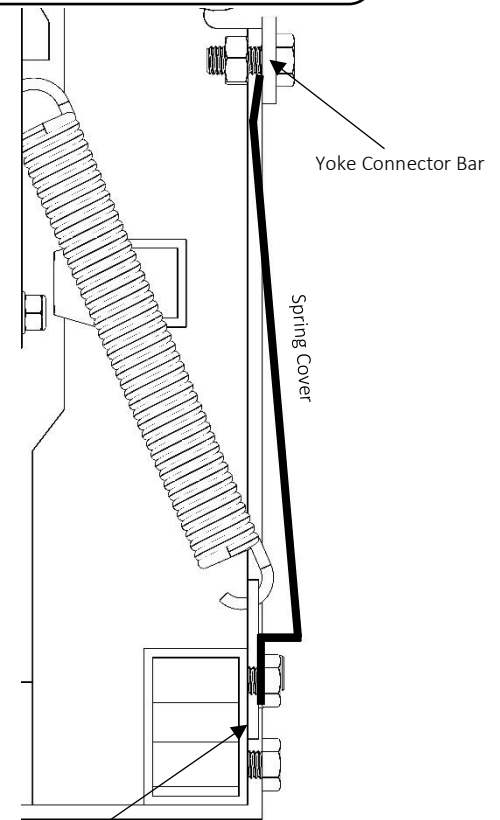
(4)

## Step 20

Attach the Spring Covers over both set of springs using 4 M8X10mm Bolts in the threaded holes of the Bottom Spring Tube's plates.



Note: The Spring Cover is placed behind the Yoke Connector Bar, as shown in this profile view.



Bottom Spring Tube